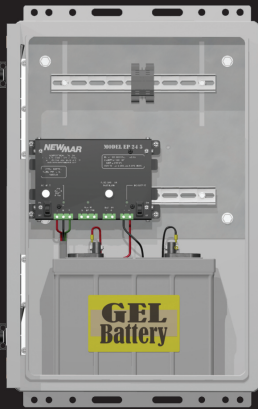


LinkUPS Outdoor Power System

LMD Series



LinkUPS™ by Ventev makes remote monitoring reliable while delivering the critical information you demand. Avoid the cost of not having critical information and the inability to control catastrophic situations.

LinkUPS outdoor power solutions are secure enclosures ensuring reliable and uninterrupted DC Power. Our Plug & Play solutions

are pre-engineered for harsh environments with rustproof enclosures that are configured to make system selection simple and deployments fast.

Enclosure System

- Weatherproof/ruggedized aluminum enclosure
- Radio & RTU-ready housing
- Easy equipment installation and mounting
- Secure, pad-lockable doors

Power System

- Ruggedized Power Supply supporting up to 100W
- Always-on, uninterruptible system design
- Clean/reliable DC power

Batteries

- Outdoor-rated, deep gel cell batteries for harsh environments
- Wide temperature range for long life

Output Options

- 12 or 24 VDC output
- 120 VAC output
- 48 VDC PoE output

Simple

- An engineered, pre-configured solution that maximizes flexibility to incorporate your equipment into the enclosure
- Best practice design incorporating backup battery capability
- Smart, worry-free design tells you if there is a problem

Fast

- Available from stock, the LinkUPS solution makes system selection and deployments fast
- Utilizing standard DIN rail, these Plug & Play systems make your equipment installation just one click away from completion

Reliable

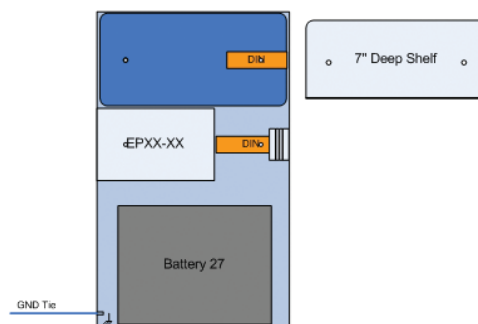
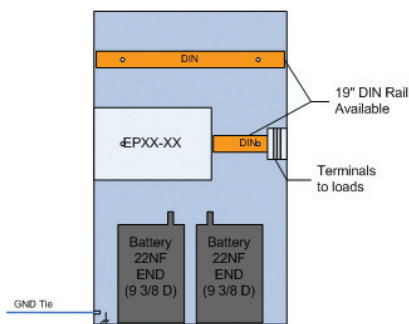
- Environmentally hardened components for harsh environments
- NEMA 4X corrosion resistant enclosure

Application List

- Remote Monitoring & Control
- AMI/Smartgrid
- Railroad Communication & Signaling
- Broadband
- Security & Surveillance

Plug & Play Hardware Accessories

- Battery Test Remote Monitor for local and remote status monitoring
- One-click Power over Ethernet (PoE) Kits
- Snap-in shelves, DIN rail brackets and aluminum backplates for additional equipment



Batteries shown for illustration purposes only. Actual battery configuration depends on model.

Product Dimensions			Battery Runtimes		
Enclosure External	Height	Width	Depth	24V-100W	12V-100W
Customer Equip. Area	19" Din OR 15.5" x 7.7" Plate			@ Full Load	
				11 hrs	9.4 hrs

ELECTRICAL		
	24V Model #LMD24-100	12V Model #LMD12-100
Battery and Load Voltage	Temperature compensated 0-60°C 29.8 – 25.8V	Temperature compensated 0-60°C 14.9 – 12.9V
Min. Battery Charging Current (no load)	5.25A	10.5A
Max. Load Current	3.75A	7.5A
Input Power	85-265VAC, 47-66Hz 110-370VDC	85-265VAC, 47-66Hz 110-370VDC
Protections	Over Voltage Over Current Short Circuit Fused Input and Battery Reverse Battery Low Voltage Disconnect (23.8) Immediate Auto Recovery	Over Voltage Short Circuit Short Circuit Fused Input and Battery Reverse Battery Low Voltage Disconnect (11.9) Immediate Auto Recovery
Alarm	Power fail alarm: SPDT contacts 1A@30VDC	Power fail alarm: SPDT contacts 1A@30VDC
LED Indicators	AC Power Available Load Power Available Alarm Condition	AC Power Available Load Power Available Alarm Condition
Operating Environment	-20 to 60°C 10-95% Relative Humidity (non-condensing)	-20 to 60°C 10-95% Relative Humidity (non-condensing)

LinkUPS Plug & Play Options and Accessories (compatibility differs per model selected)

The LinkUPS Plug & Play design allows you to select additional optional equipment to enhance the capabilities of the backup battery system or add hardware accessories to make it more universal.

EQUIPMENT OPTIONS LIST

- Battery Test Remote Monitor
- 200W Field upgrade Kit (LLG Series)
- Power over Ethernet Kit
- Ethernet Switch
- Cellular Modems
- 120VAC Inverter
- DC-DC Converter

HARDWARE ACCESSORY LIST

- Full Size or Mini Shelves
- Backplate
- Antennas – all frequencies
- Lightning Arrestor
- Radio Bracket
- Pole Mount
- Door Switches and Lights

Check out Ventev.com for options and accessory datasheets.

Where to Buy: Ventev LinkUPS Outdoor UPS Systems are exclusively available from TESSCO Technologies. Please visit www.tessco.com/go/backup or call 800.472.7373.